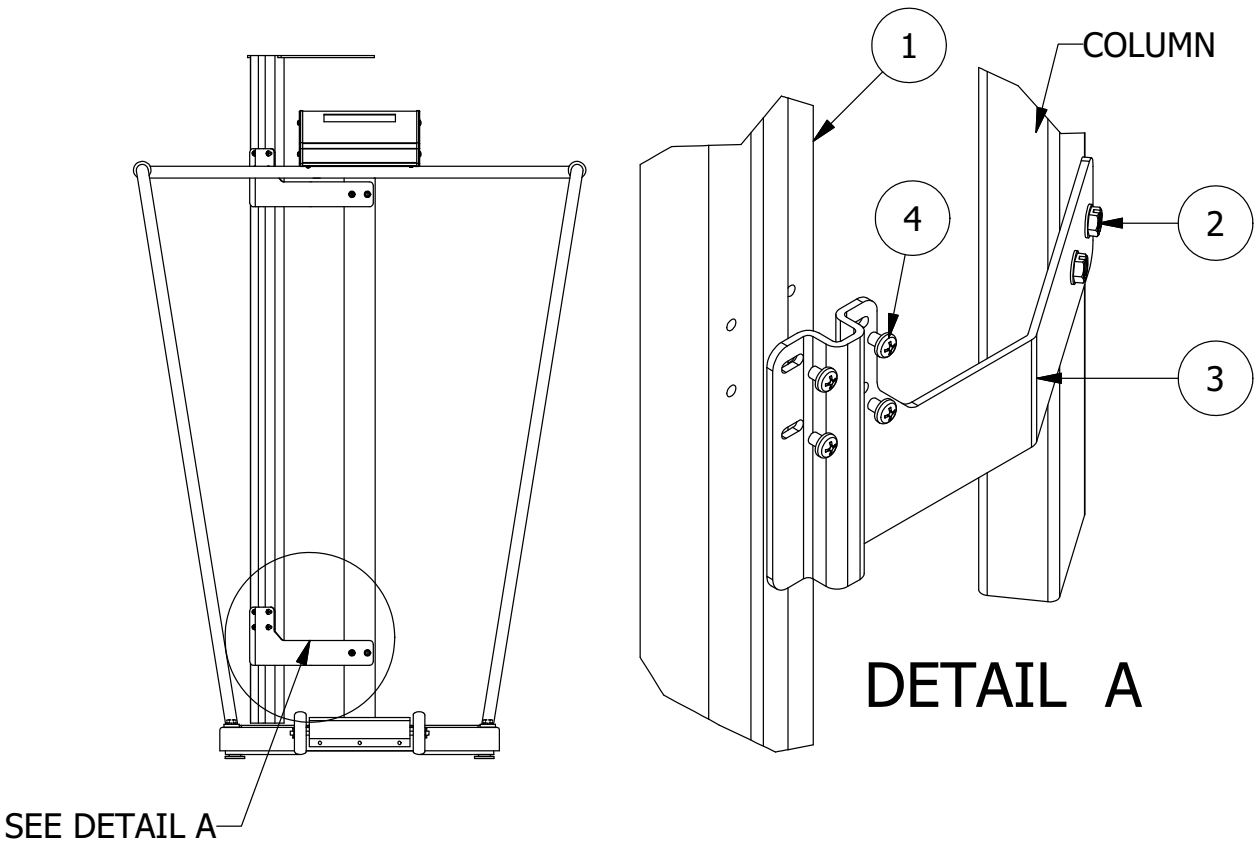


Installing the Digital Height Rod on the 6854DHR/6857DHR

ASSEMBLY:

1. ATTACH DHR TO COLUMN MOUNTING BRACKETS USING THE SUPPLIED MACHINE SCREWS. IT MAY BE NECESSARY TO LOOSEN THE SHEET METAL SCREWS WHICH SECURE THE BRACKETS TO THE COLUMN TO GET THE SLOTS IN THE BRACKET TO ALIGN WITH THE THREADED HOLES IN THE REAR OF THE DHR.
2. CONNECT THE CABLE FROM THE DHR TO THE PORT ON THE REAR OF THE 758C INDICATOR THAT IS LABELED HEIGHT ROD.



Parts List			
ITEM	QTY	PART NUMBER	DESCRIPTION
1	1	DHR	DETECTO DIGITAL HEIGHT ROD
2	4	6021-1629	SCW HEX-HEAD.. SHEET-METAL #10X.500
3	2	1930-C475-08	DHR BRACKET
4	8		PAN HEAD MACHINE SCREW - M4x0.7 x 4