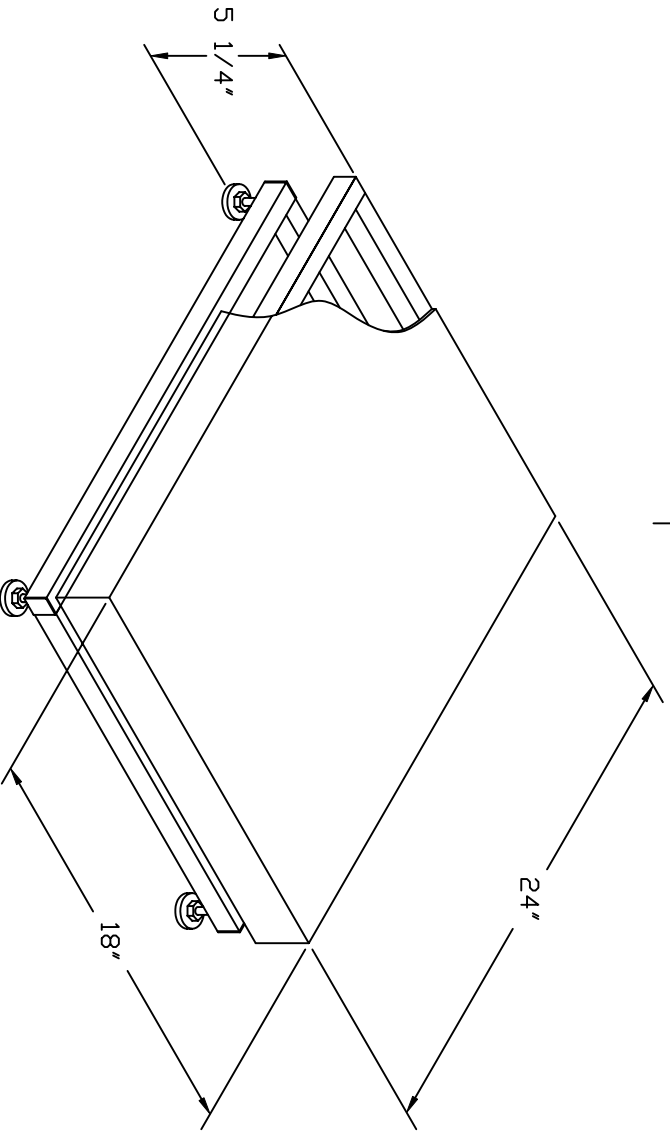
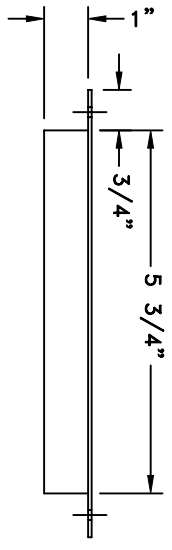
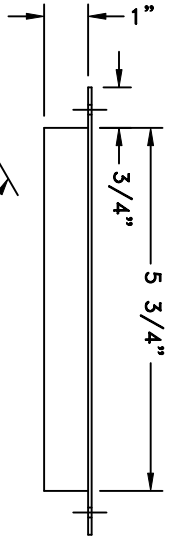
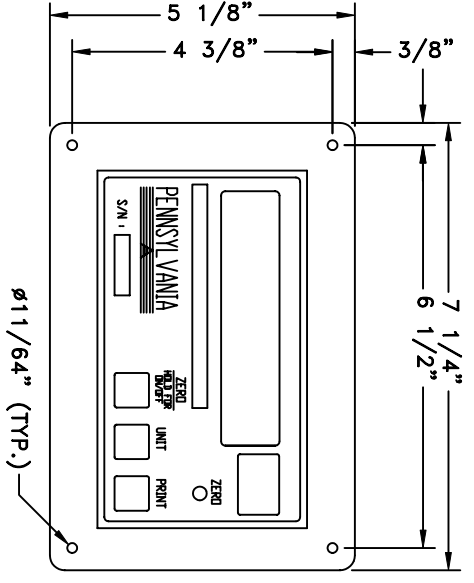
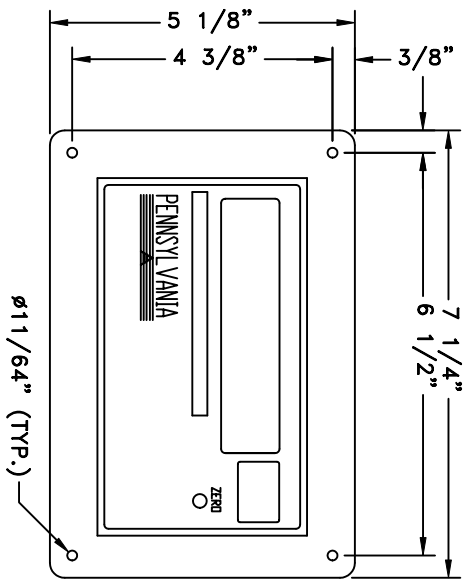


REV	DESCRIPTION	DATE	APPROVED
A	DIMENSIONAL REFERENCE DRAWING ONLY - DO NOT REVERSE	9/11/2003	TSF



MODEL 6400 18"x24" BENCH SCALE DIMENSIONAL DRAWING

THIS IS A COMPUTER GENERATED DRAWING DO NOT SCALE. DIMENSIONS ARE TO DIMENSIONS FOR CONSTRUCTION.

**PENNSYLVANIA**

1042 NEW HOLLAND AVE., LANCASTER, PENNSYLVANIA 17601  
 800.235.0473 / 717.295.6935 / FAX:800.765.6550

INFORMATIONAL DRAWING OF MDL 64  
 18" x 24" BENCH SCALE (ALL CAPABILITIES)

TOLERANCES UNLESS OTHERWISE SPECIFIED  
 THREE PLACES +/- .000 FRACTIONS +/- 1/64  
 TWO PLACES +/- .010 ANGLES +/- 1 DEG.

MATERIAL: CONCRETE FACTORY

FINISH: POWDERCOATED

DATE: 9/11/2003 SCALE: N/A APPROVED: \_\_\_\_\_ SHEET 1 OF 1

REV A

TSF

THIS DRAWING IS THE PROPERTY OF SCALES AND WEIGHTS CO. AND SHOULD NOT BE REPRODUCED OR CHANGED BY ANY ONE BUT SCALES AND WEIGHTS CO.